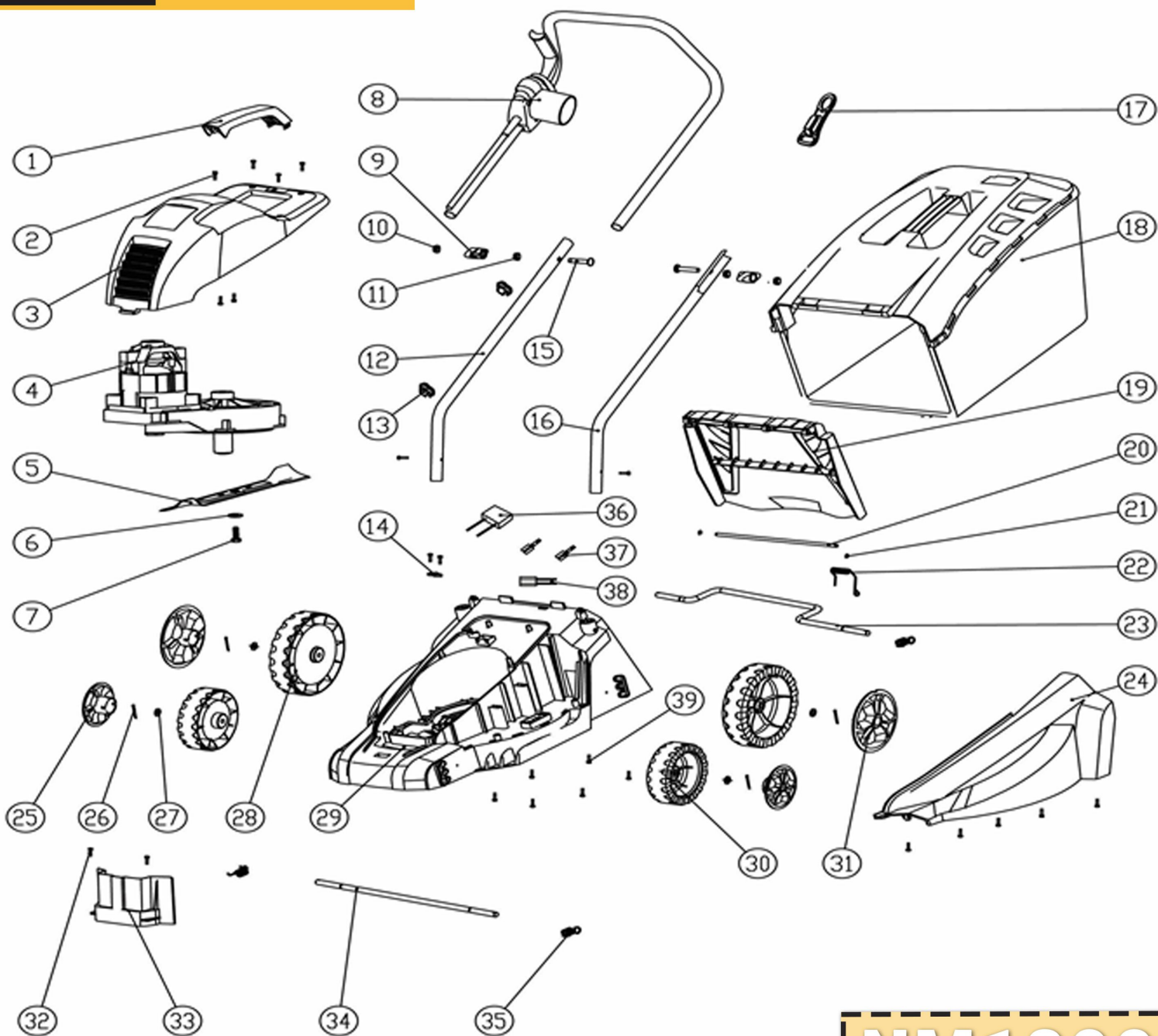


PRO-CRAFT



NM1800